

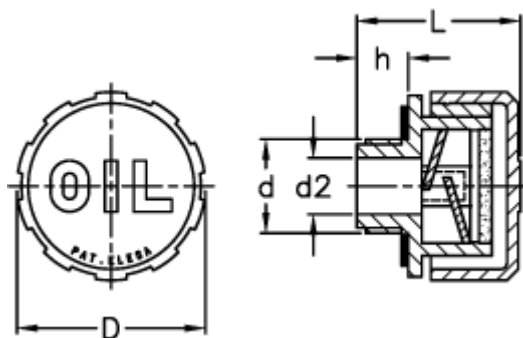
# Data Sheet



Article number: 2311056711

Description: E+G Breather plug  
SFP.57-3/4+F FIL

## Measures



D = 57

d = G 3/4

d2 = 18

h = 14.0

L = 42.0